



**RAJPAL AGRICULTURAL MACHINERY PVT. LTD.**

[www.rajpalagri.com](http://www.rajpalagri.com)

# ABOUT US

The journey began in 2004, by Mr. Ashok Rajpal who has been in the business for more than 30 years, gaining an impressive position in the agricultural business globally.

Rajpal Agricultural Machinery Pvt. Ltd. (RAM) is a proud manufacturer of strong, reliable, resilient and durable disc blades made from high quality boron steel, which undergoes a unique and advanced heat treatment process.

We are highly dignified manufacturers and provide a wide range of disc blades ranging from 3mm to 8mm. Our product portfolio is just not limited to Plain Disc, Notched Disc, Conical Disc, Dimpled Disc and Coulter Blades but also includes more varieties.

To ensure the high quality that RAM boasts of, all our products go through individual rigorous test, from Raw material procurement till the dispatch of goods to measure performance. These tests not only help us to meet and exceed industry standards but it also helps in providing our esteemed clients the consistency and highest level of satisfaction in quality that they very much expect and deserve. We primarily lay focus on our customers and their customized requirements for our products.

## MISSION

*We aim to become the best quality supplier of high quality farm machinery that is economical and efficient. We aspire to satisfy all your tillage requirements by providing you with a wide and diverse range of Blades.*

*Rajpal Agricultural Machinery strongly believes that quality is the lydian stone to prosperity.*

## VISION

*We intend to create a world leading farm machinery company with a sustainable corporate culture. We train and develop our team by empowering them with productive techniques that help us achieve operational excellence and continuous upgraded quality.*



## INDEX

1. Concave Disc Features	3
2. Plain Disc	3
3. Notched Disc	4
4. Dome Disc-Center Less	4
5. Flat Center Disc	5
6. Raised Flat Back Disc	5
7. Conical Disc	6
8. Dimpled Disc	6
9. Fluted Disc	7
10. Fluted Flat Centered Coulters	7
11. Wavy Flat Centered	8
12. Flat Disc Blades	8
13. Bevel	9
14. Holes	10
15. Contact	11

# DISC AND COULTER BLADE FEATURES

- Carefully tested raw material with a dedicated laboratory that verifies the composition of various elements in steel.
- Boron disc hardness: 46+/-2 HRC This hardness delivers perfect and uniform performance while ensuring that the product lasts for a long time.
- Uniform and precise manufacturing, ensuring perfect performance and compatibility with various types of harrows and ploughs.
- Powder Coated in Lead and Mercury free paint.
- Boron steel discs need to pass the "Ball Test", guaranteeing good performance and sustenance to the impact from rocks and harsh weather conditions

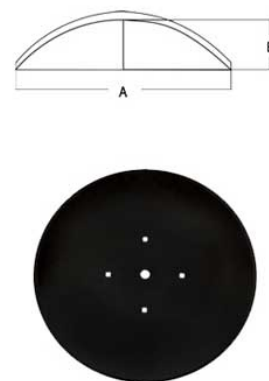
## PLAIN DISC

### DESCRIPTION

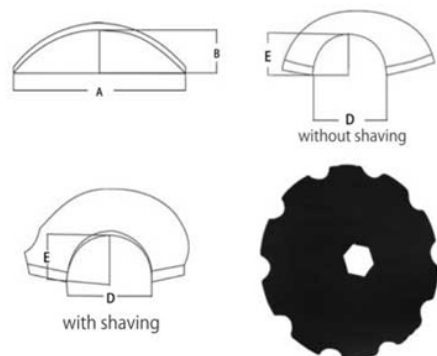
Being the versatile series in the market, it adapts to all types of machineries, axles and soil conditions and also offers soil breakage, soil penetration and inverting of soil. These blades are combined with variety of sizes and concavities and are also durable in their performance in wet and dry soil types. We offer a full line of Plain blades in grades of Boron steel sizes and concavities as per your tillage requirement.

### SPECIFICATION

DIA(INCH)	DIA(MM)	THK(MM)	CONCAVITY (MM)
A	A		B
12	304.8	3.0	25
13	330.2	3.0	25
14	355.6	3.0 to 5.0	31,38
16	406.4	3.0 to 5.0	28,35,38,54
18	457.2	3.0 to 6.35	44,56,67
20	508	3.0 to 6.35	57,60,69,84
22	558.8	4.0 to 6.35	63,70,74,78,86
24	609.6	4.0 to 8.0	68,76,83,88,95
26	660.4	5.0 to 10	57,70,77,89,98,104,109
28	711.2	6.0 to 10	74,95,109
30	762	6.0 to 8	86,112



# NOTCHED DISC



## DESCRIPTION

Notched blades are highly efficient because of their greater dynamics, hence are able to penetrate the layers of soil. They have a greater weight per inch of circumference between different blade notches. They help to perform more work in less time and are suited for residue management.

We offer a full line of Plain blades in grades of Boron steel sizes and concavities as per your tillage requirement.

## SPECIFICATION

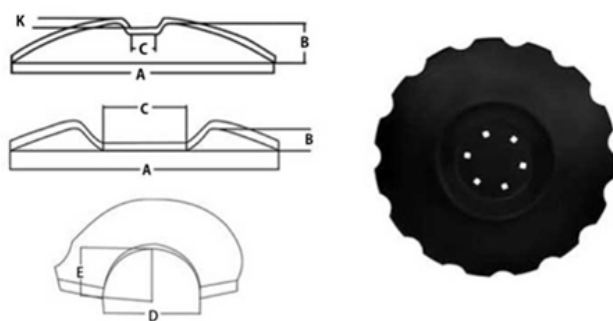
	DIA(MM)	THK(MM)	CONCAVITY (MM)	NO OF NOTCHES	NOTCHED W/O SHAVING (MM)	SHAVING	NOTCHED SIZE (MM)
A	a		B				DXE
12	330.2	3.0	25	7		YES	73x33
13	304.8	3.0	25	7		YES	73.33
14	355.6	3.0, 5.0	31,38	9		YES	73.33
16	406.4	3.0, 5.0	28,35,38,54	9		YES	76X40
18	457.2	3.0 to 6.35	44,56,67	9		YES	80X40
20	508	3.0 to 6.35	57,60,69,84	10		YES	80X45
22	558.8	4.0 to 6.35	63,70,74,78,86	10		YES	80X40
24	609.6	4.0 to 8.0	68,76,83,88,95	10		YES	80X40
26	660.4	5.0 to 10.0	57,70,77,89,98,104,109	10		YES	90X50
28	711.2	6.0 to 10.0	74,95,109	10		YES	90X50
30	762	6.0 to 8.0	86,112	10		YES	90X50

# DOME DISC-CENTER LESS

## DESCRIPTION

We manufacture a wide range of Dome Disc. These discs are designed using latest industry technology and are corrosion resistant and have high durability and hardness. It helps in better soil penetration.

We offer a wide range of Dome Disc, Notched Centerless Dome 516, Notched Centerless Dome 560, Centerless 610.

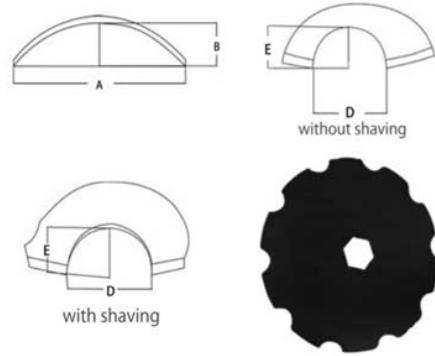


## SPECIFICATION

Type	A	Thickness	Concavity	C	K	No of Notches	E	D	Shaving
		MM	MM	MM	MM	MM	MM	MM	Degree
Notched Center less Dome		4 to 6	26	171		15	15	55	45
Notched Center less Dome		4 to 6	30	171		15	15	55	45
Center less		4 to 6	83	83	21				



# NOTCHED DISC



## DESCRIPTION

Notched blades are highly efficient because of their greater dynamics, hence are able to penetrate the layers of soil. They have a greater weight per inch of circumference between different blade notches. They help to perform more work in less time and are suited for residue management.

We offer a full line of Plain blades in grades of Boron steel sizes and concavities as per your tillage requirement.

## SPECIFICATION

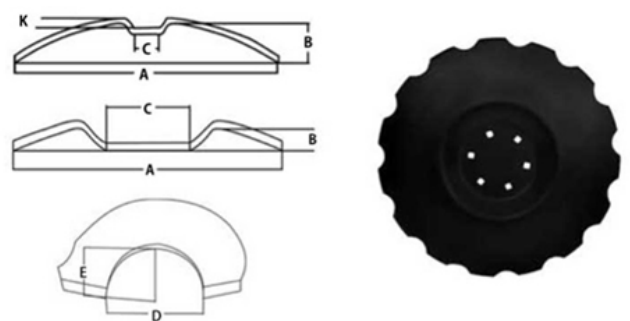
	DIA(MM)	THK(MM)	CONCAVITY (MM)	NO OF NOTCHES	NOTCHED W/O SHAVING (MM)	SHAVING	NOTCHED SIZE (MM)
A	a		B				DXE
12	330.2	3.0	25	7		YES	73x33
13	304.8	3.0	25	7		YES	73.33
14	355.6	3.0, 5.0	31,38	9		YES	73.33
16	406.4	3.0, 5.0	28,35,38,54	9		YES	76X40
18	457.2	3.0 to 6.35	44,56,67	9		YES	80X40
20	508	3.0 to 6.35	57,60,69,84	10		YES	80X45
22	558.8	4.0 to 6.35	63,70,74,78,86	10		YES	80X40
24	609.6	4.0 to 8.0	68,76,83,88,95	10		YES	80X40
26	660.4	5.0 to 10.0	57,70,77,89,98,104,109	10		YES	90X50
28	711.2	6.0 to 10.0	74,95,109	10		YES	90X50
30	762	6.0 to 8.0	86,112	10		YES	90X50

# DOME DISC-CENTER LESS

## DESCRIPTION

We manufacture a wide range of Dome Disc. These discs are designed using latest industry technology and are corrosion resistant and have high durability and hardness. It helps in better soil penetration.

We offer a wide range of Dome Disc, Notched Centerless Dome 516, Notched Centerless Dome 560, Centerless 610.



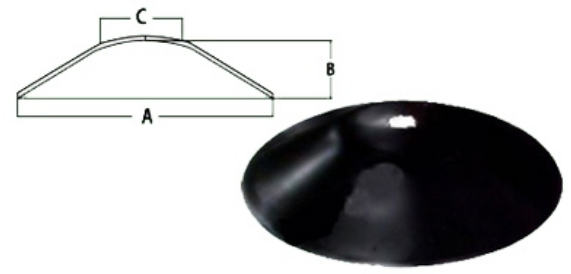
## SPECIFICATION

Type	A	Thickness	Concavity	C	K	No of Notches	E	D	Shaving
		MM	MM	MM	MM	MM	MM	MM	Degree
Notched Center less Dome		4 to 6	26	171		15	15	55	45
Notched Center less Dome		4 to 6	30	171		15	15	55	45
Center less		4 to 6	83	83	21				

# CONICAL DISC

## DESCRIPTION

We manufacture Conical Disc Blades which mix well with the upper and inner layers of soil and take out the deep buried nutrients at the surface. To meet different demands, we offer these Conical Disc Blades in varied dimensions like accurate dimension, Resistance to corrosion, Optimum functioning and long lasting performance.



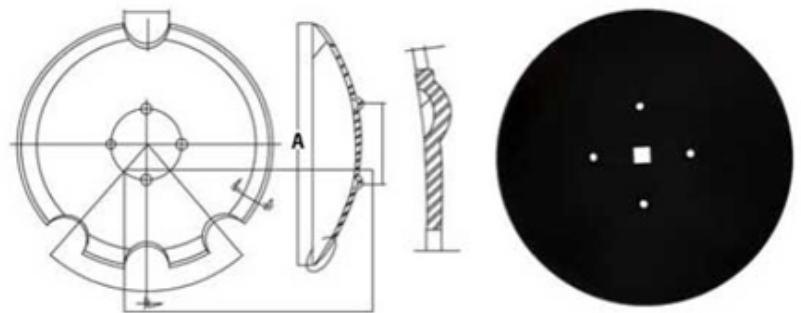
## SPECIFICATION

Type	A	Thickness	Concavity B	C	No Of Notches & Size
	MM	MM	MM	MM	
Conical	508	5 to 8	80	180	As Per Client Requirement
Conical	560	5 to 8	92	180	As Per Client Requirement
Conical	660	5 to 8	98	210	As Per Client Requirement
Conical	660	6 to 8	110	210	As Per Client Requirement
Conical	610	6 to 8	110	265	As Per Client Requirement

# DIMPLED DISC

## DESCRIPTION

Dimpled Disc Blades are made from best Quality material and The entire range is thoroughly checked by quality controller. It is wear and tear resist.



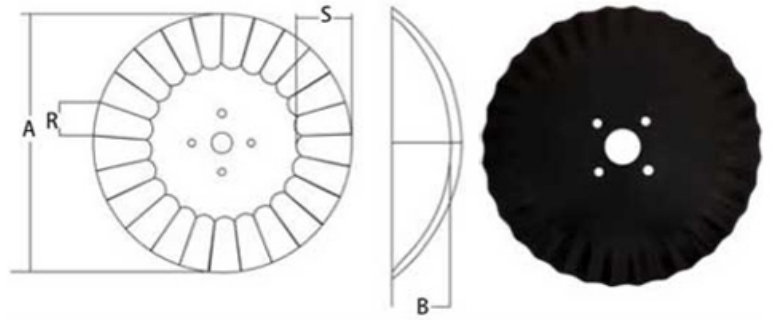
## SPECIFICATION

Type	A	Thickness	Concavity	No Of Notches & Size
	MM	MM	MM	
Dimpled	610	5 to 8	83	As Per Client Requirement

# FLUTED DISC

## DESCRIPTION

We manufacture qualitative range of Fluted Disc Blade made using corrosion resistant steel. It helps the soil to be crushed and mixed properly to increase its productivity. These blades are efficient in ploughing, are resistant to abrasion and have a longer service life. We offer a wide range of Fluted Disc. Fluted 610, Fluted 660, Fluted 711.



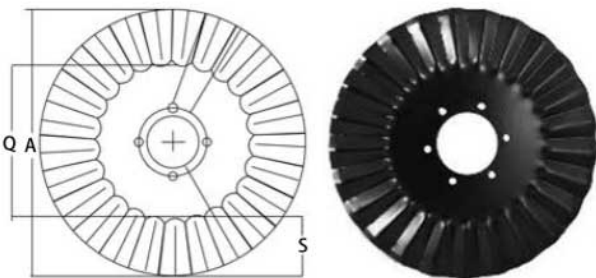
## SPECIFICATION

Type	A	Thickness	Concavity (B)	No of Flutes	Flutes Length (S)	Flutes Width (R)
	MM	MM	MM	MM		MM
Fluted	610	5 to 8	76	32	110	60
Fluted	660	6 to 8	89	32	135	60
Fluted	711	6 to 8	109	32	160	70

# FLUTED FLAT CENTERED COULTERS

## DESCRIPTION

Fluted Flat Centered Coulters are the perfect blades to cut through residue and is good for seed to soil contact. They are used to slit the soil to prepare the seedbed. Coulters are available in different styles and sizes and is generally selected on the basis of soil, moisture and residue conditions.



## SPECIFICATION

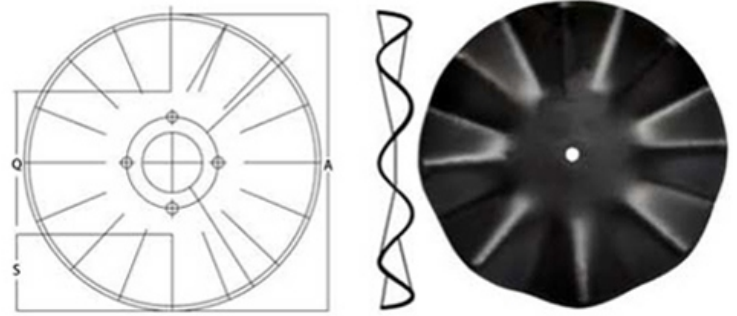
Type	A	Thickness	Flat Center (Q)	No of Flutes	Flutes Length (S)
	MM	MM	MM		MM
Fluted Flat Centered Coulters	418	4 to 5	292.1	25	65
Fluted Flat Centered Coulters	508	4 to 5	292.1	25	110



# WAVY FLAT CENTERED

## DESCRIPTION

We manufacture a number of different styles of wavy coulters. The number of waves on a coulters, determines the fluff of the soil. Lower wave designs are ideal for minimum soil disturbance while higher wave designs leave a finely tilled seedbed.



## SPECIFICATION

Type	A	Thickness	Flat Center ( Q )	No of Flutes	Flutes Length ( S )
	MM	MM	MM		MM
Wavy Flat Centered Coulters	457	3.5 to 5	203	13	125
Wavy Flat Centered Coulters	407	3 to 5	215	18	95
Wavy Flat Centered Coulters	457	3.5 to 5	175	8	140

# FLAT DISC BLADES

## DESCRIPTION

Flat Disc Blades mix the upper and inner layers of soil. This makes the soil fertile and increases its productive value. These blades are compact in their designs and are light weighted. We offer a full line of flat disc blades which are non corrosive and can be customized as per your tillage requirement.



## SPECIFICATION

Type	Diameter	Thickness	L	P	J
	MM	MM			
Flat Disc Blades	356 to 559	4 to 6	As per client requirement		
Flat Disc Blades	610 to 660	5 to 7	As per client requirement		

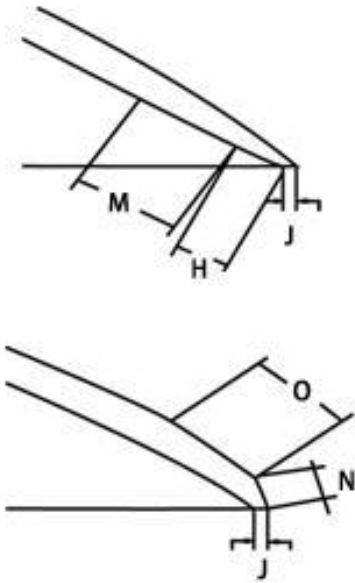
# BEVEL

## DESCRIPTION

Bevels are extremely sharp agricultural tools, that have a tendency to easily enter and cut the soil and those that have difficulty entering the soil and are dull. The important factor about a bevel is its size and shape that plays a major role in the development of agricultural products. Bevels are developed for specific soil conditions and types.

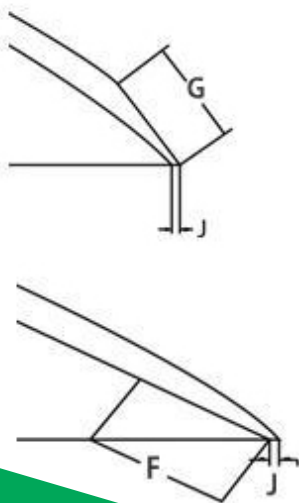
We manufacture bevels based on geographic and climatic conditions and customer requirements.

## STANDARD BEVEL CHART B1



THICKNESS	BEVEL length		LAND
	INNER	OUTER	
MM	FG		J
3	8		0.8
3.5	9		0.8
4	1010		1
4.5	1010		1
5	1111		1.2
3	1313		1.2
7	1414		1.2
8	16		1.2
10	19		1.5






## SPECIAL BEVEL








DISC SIZE	THICKNESS	CONC	BEVEL		LAND
			INNER	OUTER	
INCHES	MM		H+M	N+0	J
26	5	89	5+15		1.3
26	5	109		7+18	1.2
20	6	45		8+6	1.3

## DESCRIPTION

Rajpal Agricultural Machinery manufacturers products based on the customer requirements.

CENTER HOLE TYPE	SHAPE
RECTANGULAR CLOVER LEAF	
ROUND SQUARE CLOVER LEAF	
DUAL SQUARE	
DUAL SQUARE CLOVER LEAF	
KEY HOLE	

\* We can provide any type of center hole as per party requirement

CENTER HOLE TYPE	SHAPE
ROUND	
SQUARE	
SQUARE ROUND	
SQUARE CLOVER LEAF	
HEXAGONAL CLOVER LEAF	
HEXAGONAL	



**RAJPAL AGRICULTURAL MACHINERY PVT. LTD.**

GALAXY MILL COMPOUND,  
OPP MARUTI KOATSU CYLINDER,  
GIDC, HALOL, VADODARA -389350

Mr. Ashok Rajpal  
CEO  
+91 92540 50883  
ashok@rajpalagri.com

Mr. Tejasv Rajpal  
VP Operations  
+91 99919 50883  
tejasv@rajpalagri.com

[www.rajpalagri.com](http://www.rajpalagri.com)